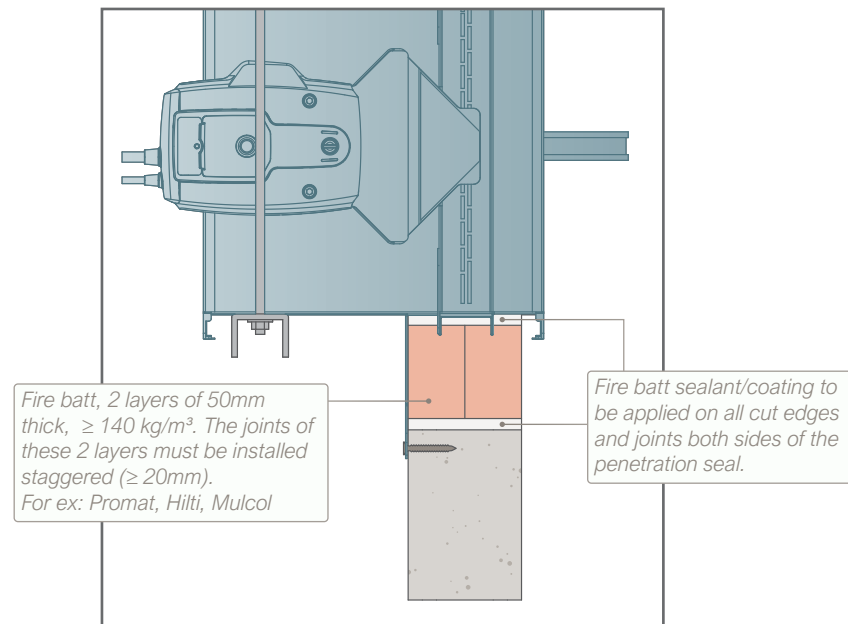
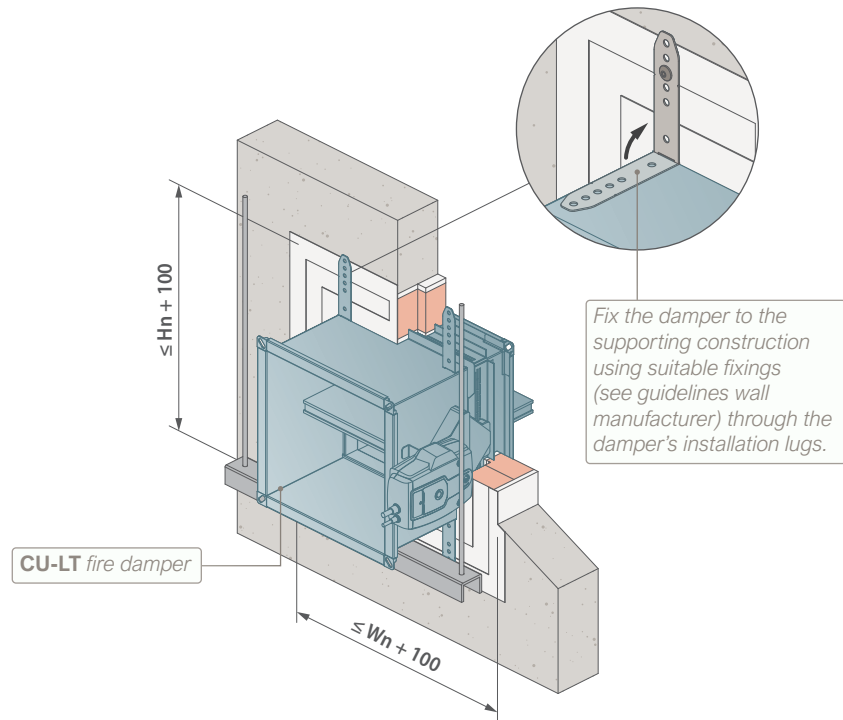
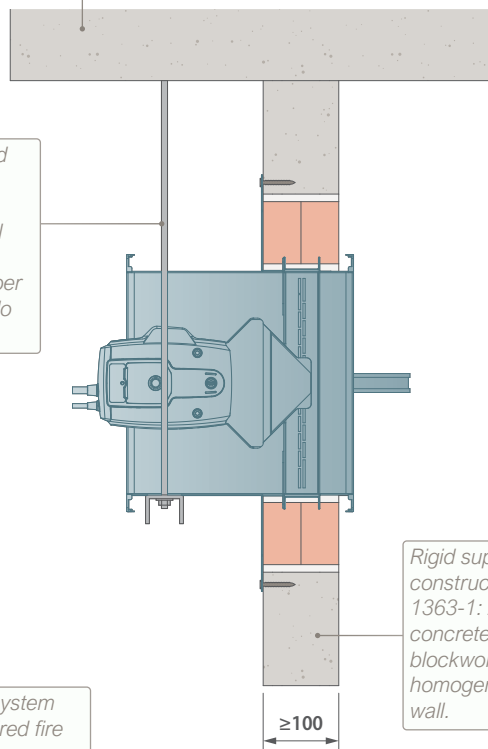


# CU-LT FIRE DAMPER



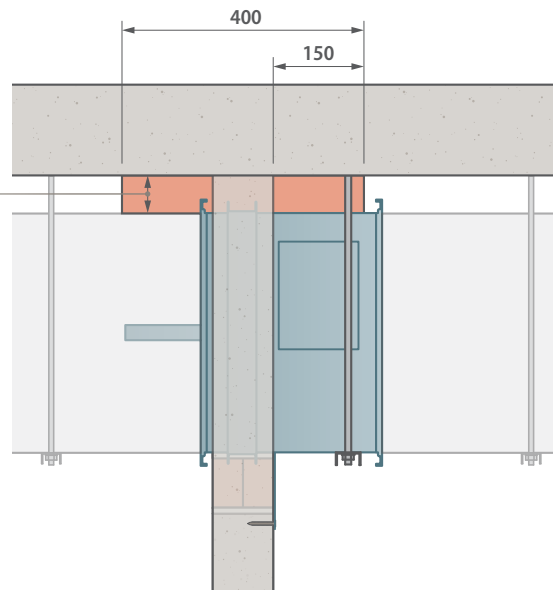
Supporting construction (slab or other)

Damper to be supported by unistrut from min. M8 drop rods, washers and nuts from horizontal supporting construction above. Let the fire damper rest upon the unistrut, do not fixate.



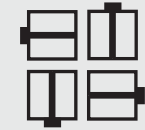
Dimension suspension system acc. to weight and required fire resistance.

- If distance from damper tunnel to horizontal supporting construction  $\geq 75 \text{ mm}$  : apply 2 layers of fire batt as shown above.
- If distance from damper tunnel to horizontal supporting construction  $\geq 50$  and  $< 75 \text{ mm}$  : apply fire batt (density min.  $150\text{kg/m}^3$ ) between fire damper and horizontal supporting construction over a total depth of 400 mm. Not required to coat the fire batt nor use coated fire batt.
- If distance from damper tunnel to horizontal supporting construction  $\geq 25$  and  $< 50 \text{ mm}$  : apply stone wool (density min.  $40 \text{ kg/m}^3$ ) compressed by 40% between fire damper and horizontal supporting construction over a total depth of 400 mm. Not required to coat the stone wool

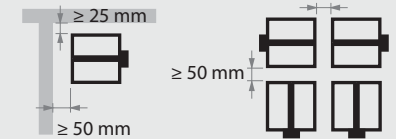


## TECHNICAL FEATURES

- Damper range (WxH): 200x100 till 800x600.
- Damper can be installed with blade in vertical or horizontal position.



- Damper can be installed with mechanism on either side of the wall (independent of fire side).
- Please consult with the fire batt manufacturer for appropriate sealant/coating.
- For larger wall openings. See CU-LT Fire Damper Technical Datasheet.
- A max. of 2x2 fire dampers can be installed at tested minimal distances from an adjacent horizontal or vertical (supporting) construction or another fire damper. See detailed guidelines in the CU-LT Technical Datasheet.



- To be read in conjunction with the CU-LT Fire Damper Technical Datasheet.
- Guidelines acc. to DW144/145 (not required for CE):
  - Installation lugs as shown in the drawings are available upon request.
  - Provide appropriate break-away / flexible joint between fire damper and connecting ductwork on both sides of the assembly (DW145: eg socket & spigot or flanged with appropriate fixings eg plastic cleats, clips, clamps, bolts, aluminium alloy rivets etc.).
  - Provide a panel in the adjacent ductwork to allow access to the internal components of the fire damper. Rf-T can provide an inspection opening on the damper body upon request (option UL).
  - Ductwork must be independently supported and installed (DW144).
- Dimensions in mm unless otherwise stated.

### TECHNICAL DATASHEET



### INSPECTION AND HANDOVER CHECK LIST



### PLAN TITLE

CU-LT fire damper in rigid supporting construction. Installation detail with fire batt.

### CLASSIFICATION

EI 60/90 (ve i-→o)S

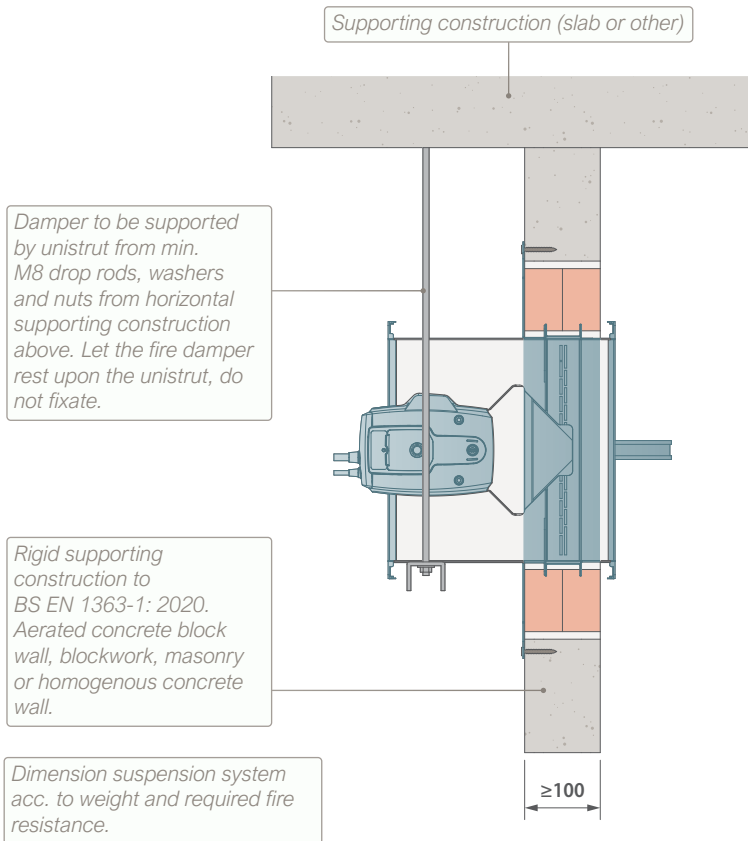
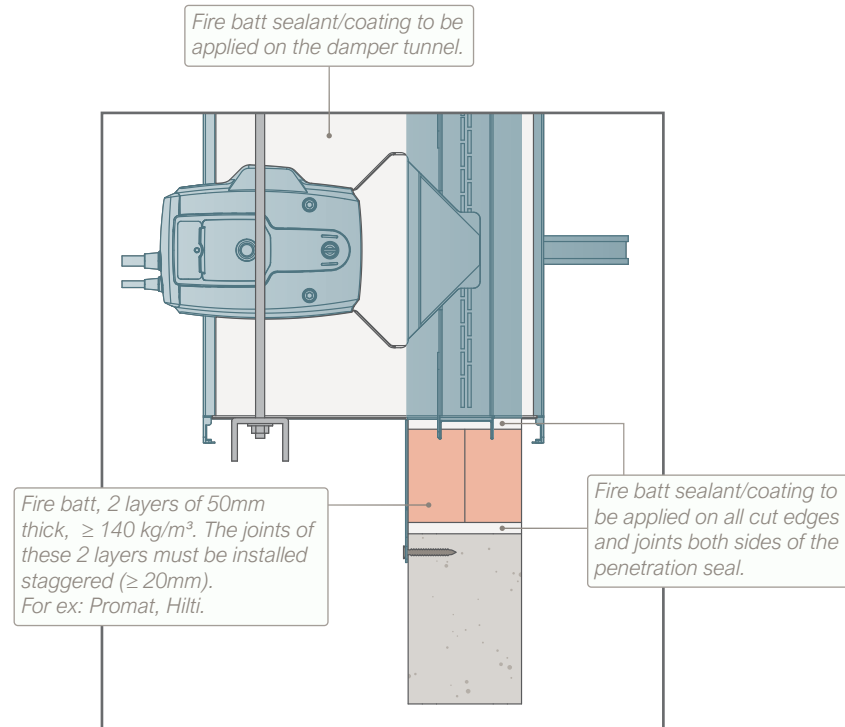
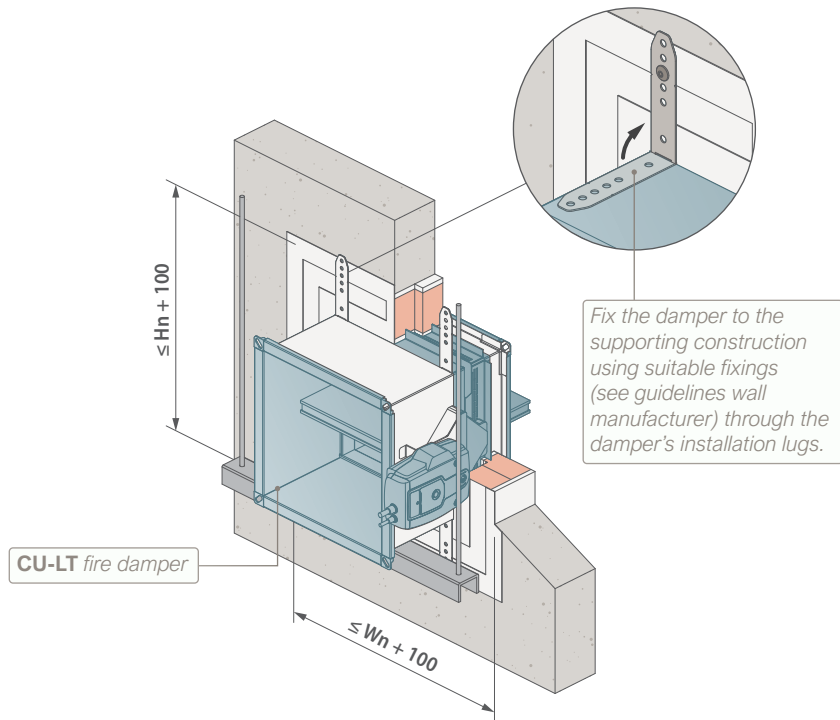


REV  
A

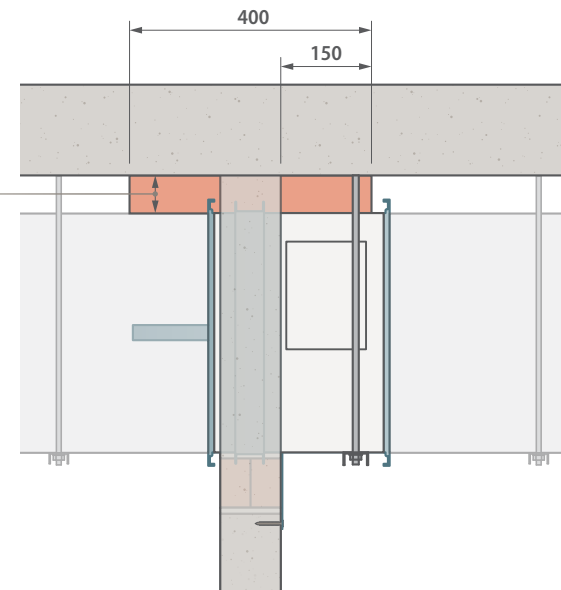
DATE  
27/09/2023



# CU-LT FIRE DAMPER

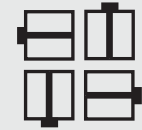


- If distance from damper tunnel to horizontal supporting construction  $\geq 75 \text{ mm}$  : apply 2 layers of fire batt as shown above.
- If distance from damper tunnel to horizontal supporting construction  $\geq 50$  and  $< 75 \text{ mm}$  : apply fire batt (density min.  $150\text{kg/m}^3$ ) between fire damper and horizontal supporting construction over a total depth of 400 mm. Not required to coat the fire batt nor use coated fire batt.
- If distance from damper tunnel to horizontal supporting construction  $\geq 25$  and  $< 50 \text{ mm}$  : apply stone wool (density min.  $40 \text{ kg/m}^3$ ) compressed by 40% between fire damper and horizontal supporting construction over a total depth of 400 mm. Not required to coat the stone wool

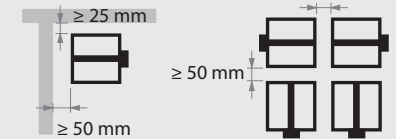


## TECHNICAL FEATURES

- Damper range (WxH): 200x100 till 800x600.
- Damper can be installed with blade in vertical or horizontal position.



- Damper can be installed with mechanism on either side of the wall (independent of fire side).
- Please consult with the fire batt manufacturer for appropriate sealant/coating.
- For larger wall openings. See CU-LT Fire Damper Technical Datasheet.
- A max. of 2x2 fire dampers can be installed at tested minimal distances from an adjacent horizontal or vertical (supporting) construction or another fire damper. See detailed guidelines in the CU-LT Technical Datasheet.



- To be read in conjunction with the CU-LT Fire Damper Technical Datasheet.
- Guidelines acc. to DW144/145 (not required for CE):
  - Installation lugs as shown in the drawings are available upon request.
  - Provide appropriate break-away / flexible joint between fire damper and connecting ductwork on both sides of the assembly (DW145: eg socket & spigot or flanged with appropriate fixings eg plastic cleats, clips, clamps, bolts, aluminium alloy rivets etc.).
  - Provide a panel in the adjacent ductwork to allow access to the internal components of the fire damper. Rf-T can provide an inspection opening on the damper body upon request (option UL).
  - Ductwork must be independently supported and installed (DW144).
- Dimensions in mm unless otherwise stated.

### TECHNICAL DATASHEET



### INSPECTION AND HANDOVER CHECK LIST



### PLAN TITLE

CU-LT fire damper in rigid supporting construction. Installation detail with fire batt and coating on the damper tunnel.

### CLASSIFICATION

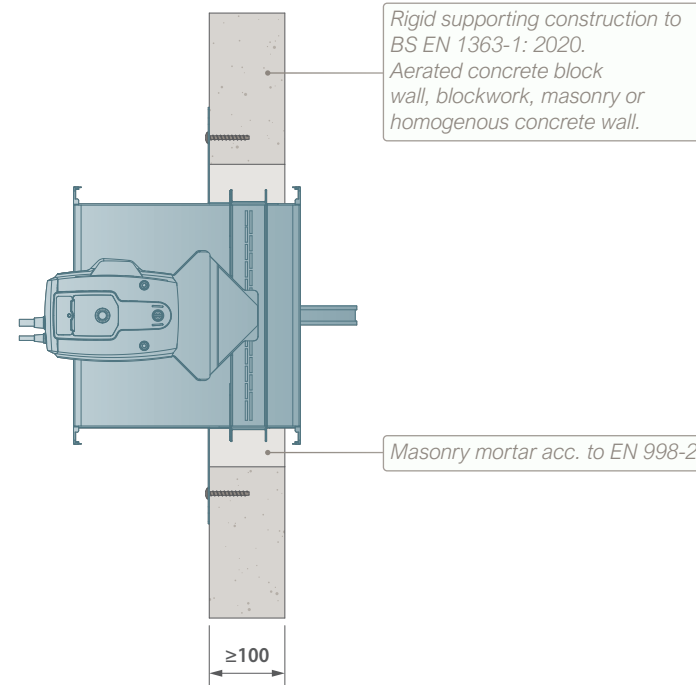
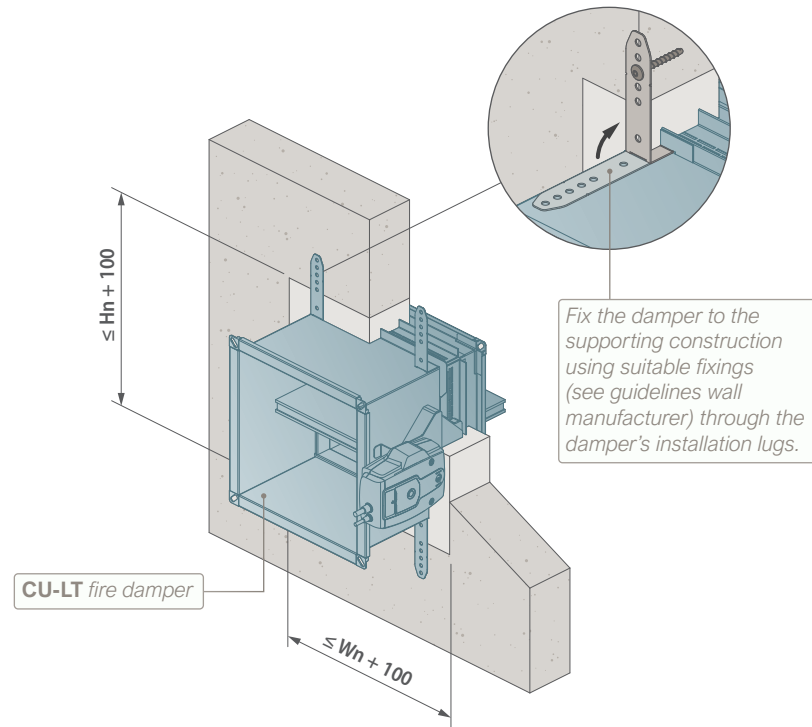
EI 120 (ve i↔→)S



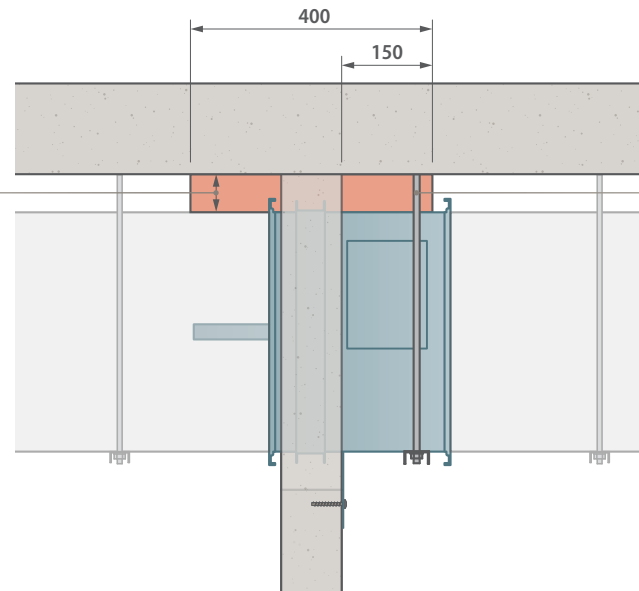
REV  
A

DATE  
27/09/2023





- If distance from damper tunnel to horizontal supporting construction ≥ 75 mm : apply masonry mortar as shown above.
- If distance from damper tunnel to horizontal supporting construction ≥ 50 and < 75 mm : apply fire batt (density min. 150kg/m<sup>3</sup>) between fire damper and horizontal supporting construction over a total depth of 400 mm. Not required to coat the fire batt nor use coated fire batt.
- If distance from damper tunnel to horizontal supporting construction ≥ 25 and < 50 mm : apply stone wool (density min. 40 kg/m<sup>3</sup>) compressed by 40% between fire damper and horizontal supporting construction over a total depth of 400 mm. Not required to coat the stone wool



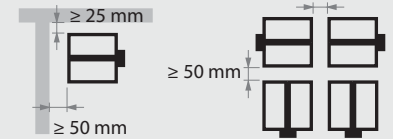
If not possible to fix the lug to the vertical supporting construction above the damper due to space constraints, support the damper by unistrut from min. M8 drop rods, washers and nuts from the horizontal supporting construction. Let the damper rest upon the unistrut, do not fixate. Dimension suspension system acc. to weight and required fire resistance.

**TECHNICAL FEATURES**

- Damper range (WxH): 200x100 till 800x600.
- Damper can be installed with blade in vertical or horizontal position.



- Damper can be installed with mechanism on either side of the wall (independent of fire side).
- A max. of 2x2 fire dampers can be installed at tested minimal distances from an adjacent horizontal or vertical (supporting) construction or another fire damper. See detailed guidelines in the CU-LT Technical Datasheet.



- To be read in conjunction with the CU-LT Fire Damper Technical Datasheet.
- Guidelines acc. to DW144/145 (not required for CE):
  - Installation lugs as shown in the drawings are available upon request.
  - Provide appropriate break-away / flexible joint between fire damper and connecting ductwork on both sides of the assembly (DW145: eg socket & spigot or flanged with appropriate fixings eg plastic cleats, clips, clamps, bolts, aluminium alloy rivets etc.).
  - Provide a panel in the adjacent ductwork to allow access to the internal components of the fire damper. Rf-T can provide an inspection opening on the damper body upon request (option UL).
  - Ductwork must be independently supported and installed (DW144).
- Dimensions in mm unless otherwise stated.

**TECHNICAL DATASHEET**



**INSPECTION AND HANDOVER CHECK LIST**



**PLAN TITLE**

CU-LT fire damper in rigid supporting construction.  
Installation detail with mortar.

**CLASSIFICATION**

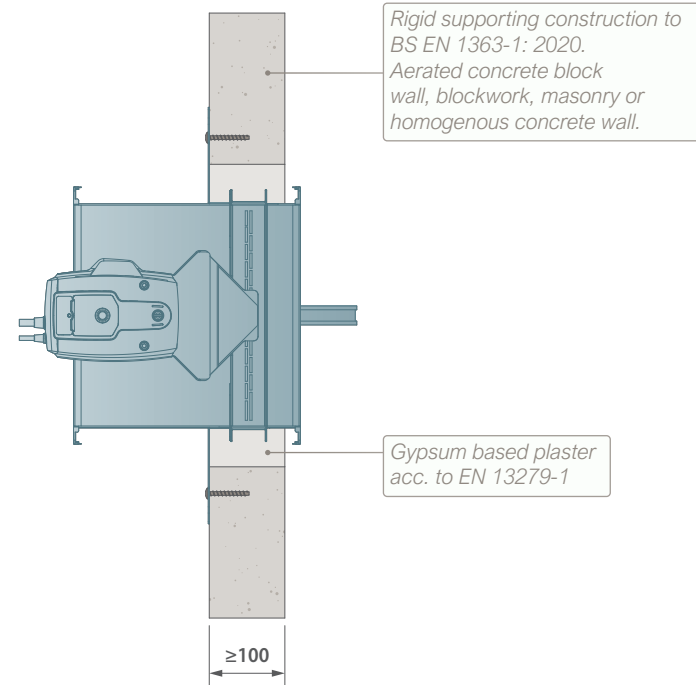
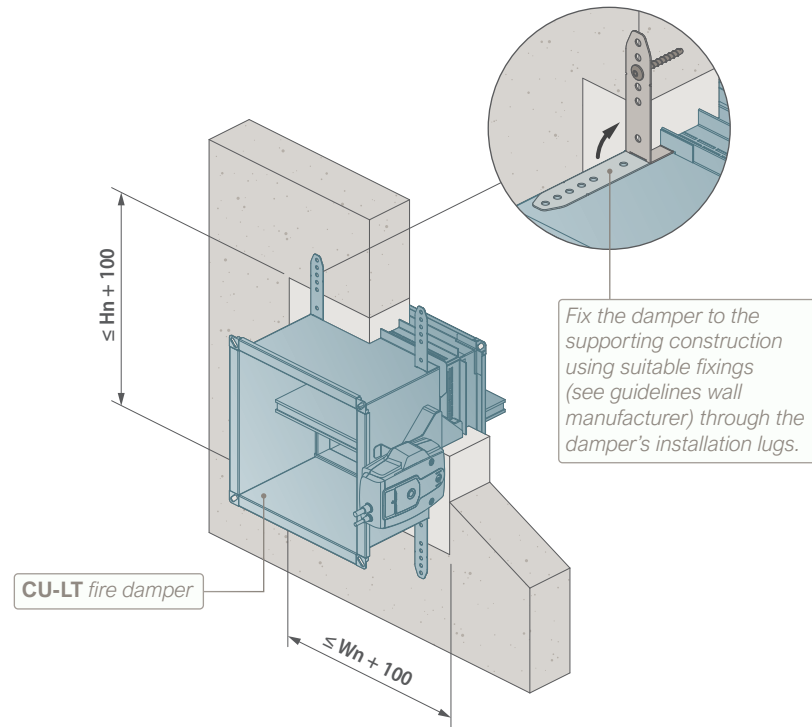
EI 60/90 (ve i↔o)S



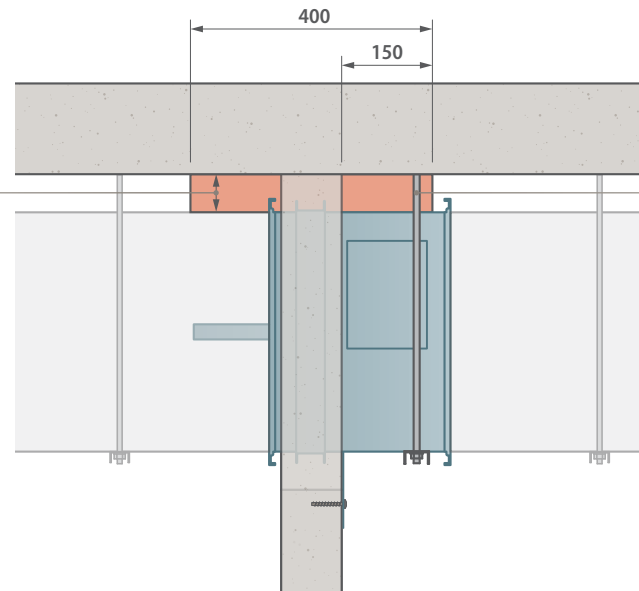
**REV**  
A

**DATE**  
27/09/2023





- If distance from damper tunnel to horizontal supporting construction ≥ 75 mm : apply gypsum based plaster as shown above.
- If distance from damper tunnel to horizontal supporting construction ≥ 50 and < 75 mm : apply fire batt (density min. 150kg/m<sup>3</sup>) between fire damper and horizontal supporting construction over a total depth of 400 mm. Not required to coat the fire batt nor use coated fire batt.
- If distance from damper tunnel to horizontal supporting construction ≥ 25 and < 50 mm : apply stone wool (density min. 40 kg/m<sup>3</sup>) compressed by 40% between fire damper and horizontal supporting construction over a total depth of 400 mm. Not required to coat the stone wool



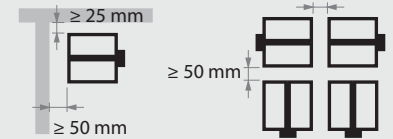
If not possible to fix the lug to the vertical supporting construction above the damper due to space constraints, support the damper by unistrut from min. M8 drop rods, washers and nuts from the horizontal supporting construction. Let the damper rest upon the unistrut, do not fixate. Dimension suspension system acc. to weight and required fire resistance.

**TECHNICAL FEATURES**

- Damper range (WxH): 200x100 till 800x600.
- Damper can be installed with blade in vertical or horizontal position.



- Damper can be installed with mechanism on either side of the wall (independent of fire side).
- A max. of 2x2 fire dampers can be installed at tested minimal distances from an adjacent horizontal or vertical (supporting) construction or another fire damper. See detailed guidelines in the CU-LT Technical Datasheet.



- To be read in conjunction with the CU-LT Fire Damper Technical Datasheet.
- Guidelines acc. to DW144/145 (not required for CE):
  - Installation lugs as shown in the drawings are available upon request.
  - Provide appropriate break-away / flexible joint between fire damper and connecting ductwork on both sides of the assembly (DW145: eg socket & spigot or flanged with appropriate fixings eg plastic cleats, clips, clamps, bolts, aluminium alloy rivets etc.).
  - Provide a panel in the adjacent ductwork to allow access to the internal components of the fire damper. Rf-T can provide an inspection opening on the damper body upon request (option UL).
  - Ductwork must be independently supported and installed (DW144).
- Dimensions in mm unless otherwise stated.

**TECHNICAL DATASHEET**



**INSPECTION AND HANDOVER CHECK LIST**



**PLAN TITLE**

CU-LT fire damper in rigid supporting construction  
Installation detail with gypsum based plaster.

**CLASSIFICATION**

EI 120 (ve i↔→) S

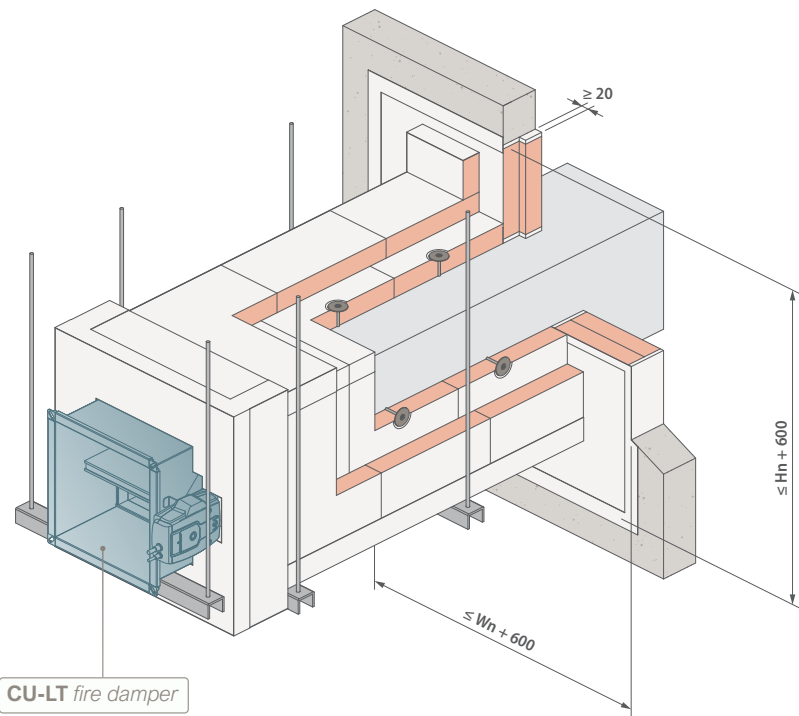


**REV**  
A

**DATE**  
27/09/2023

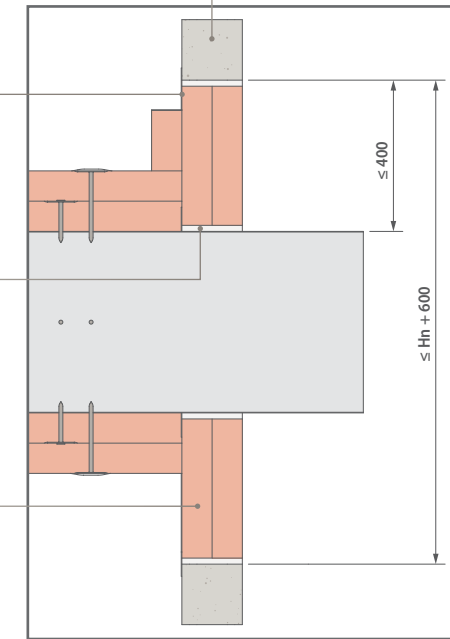


# CU-LT FIRE DAMPER



CU-LT fire damper

Rigid supporting construction to BS EN 1363-1: 2020. Aerated concrete block wall, blockwork, masonry or homogenous concrete wall.



Fire batt sealant/coating to be applied on all cut edges and joints both sides of the penetration seal

Fire batt, 2 layers of 50mm thick, ≥ 140 kg/m³. The joints of these 2 layers must be installed staggered (≥ 20mm). For ex: Promat, Hilti.

Fire batt, 2 layers of 50 mm thick, ≥ 140 kg/m³ to be applied on top of the IFW installation kit. Make sure to provide free space so the mechanism is freely accessible.

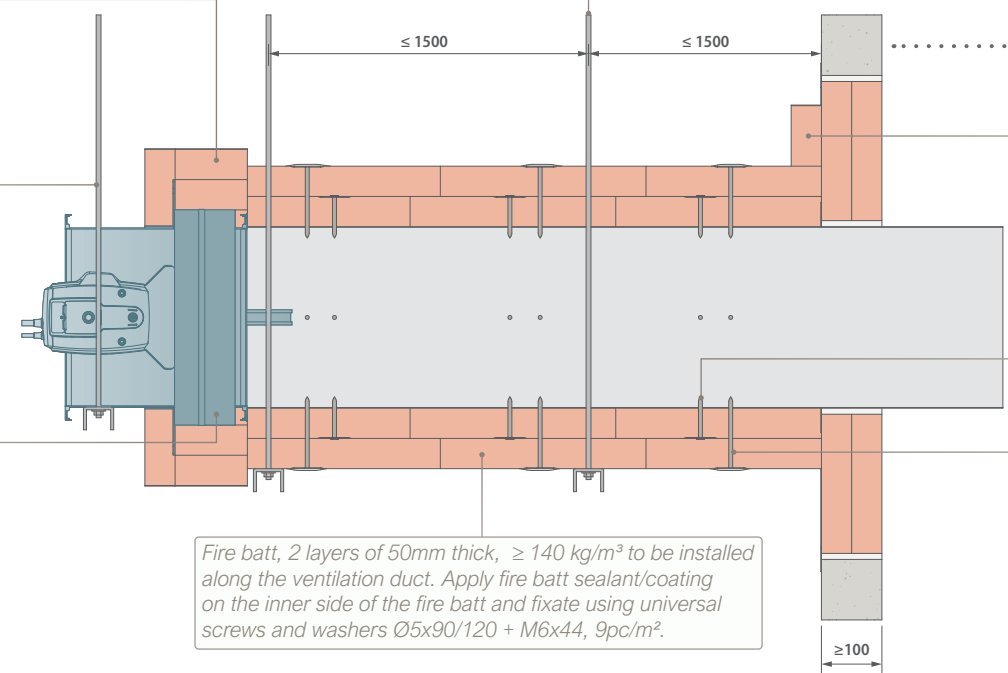
Damper to be supported by unistrut from min. M8 drop rods, washers and nuts from horizontal supporting construction above. Let the fire damper rest upon the unistrut, do not fixate.

IFW installation kit

Fire batt sealant/coating to be applied on all cut edges, joints, screws and washers.

Dimension suspension system acc. to weight and required fire resistance.

Ventilation duct and fire batt insulation to be supported by unistrut from min. M8 drop rods, washers and nuts from horizontal supporting construction above.



Fire batt, 50mm thick, 100mm high, width to match the fire batt casing, ≥ 140 kg/m³ to be placed on top of the fire batt casing adjacent to the fire batt sealing inside the wall opening.

Universal screw and washer Ø5x90 + M6x44, 9pc/m²

Universal screw and washer Ø5x120 + M6x44, 9pc/m²

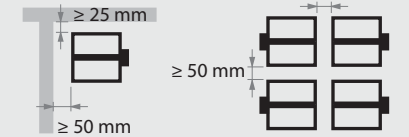
Fire batt, 2 layers of 50mm thick, ≥ 140 kg/m³ to be installed along the ventilation duct. Apply fire batt sealant/coating on the inner side of the fire batt and fixate using universal screws and washers Ø5x90/120 + M6x44, 9pc/m².

## TECHNICAL FEATURES

- Damper range (WxH): 200x100 till 800x600.
- Install the damper with the blade in horizontal position.



- Damper can be installed with mechanism on either side of the wall (independent of fire side).
- Please consult with the fire batt manufacturer for appropriate sealant/coating.
- A max. of 2x2 fire dampers can be installed at tested minimal distances from an adjacent horizontal or vertical (supporting) construction or another fire damper. See detailed guidelines in the CU-LT Technical Datasheet.



- To be read in conjunction with the CU-LT Fire Damper Technical Datasheet.
- Guidelines acc. to DW144/145 (not required for CE):
  - Provide appropriate break-away / flexible joint between fire damper and connecting ductwork on both sides of the assembly (DW145: eg socket & spigot or flanged with appropriate fixings eg plastic cleats, clips, clamps, bolts, aluminium alloy rivets etc).
  - Provide a panel in the adjacent ductwork to allow access to the internal components of the fire damper. Rf-T can provide an inspection opening on the damper body upon request (option UL).
  - Ductwork must be independently supported and installed (DW144).
- Dimensions in mm unless otherwise stated.

### TECHNICAL DATASHEET



### INSPECTION AND HANDOVER CHECK LIST



### PLAN TITLE

CU-LT fire damper remote from a rigid supporting construction. Installation detail with IFW installation kit and fire batt

### CLASSIFICATION

EI 60/90 (ve i-→o)S



REV  
A

DATE  
27/09/2023

